

## HYSTER 3.5FLT



The Hyster S3.5 Fork Lift Truck offers smooth manoeuvrability and the tightest of turning circles.

Minimum Lift:- Jib - 2 Ton  
Minimum Lift:- Forks - 3 Ton



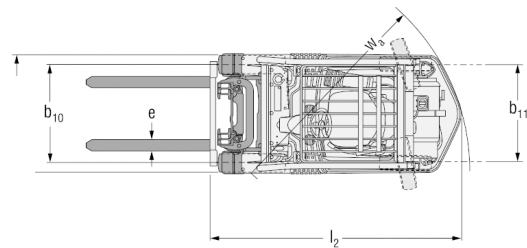
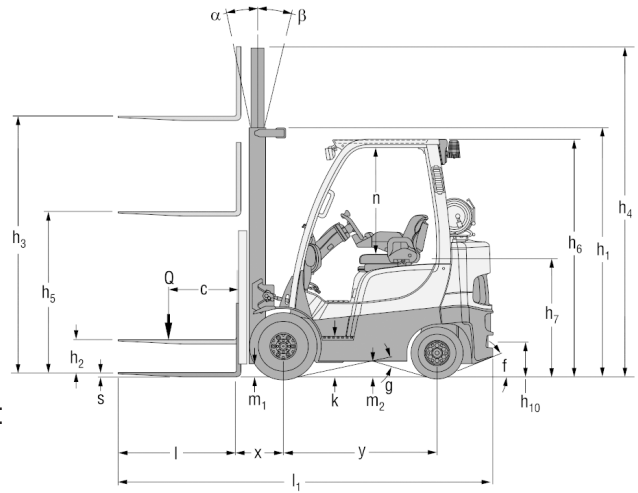
= Centre of gravity of unladen truck

$Ast = W_a + x + l_6 + a$  (see lines 4.33 & 4.34)

$a$  = Minimum operating clearance

(V.D.I. standard = 200 mm BITA recommendation = 300 mm)

$l_6$  = Load length

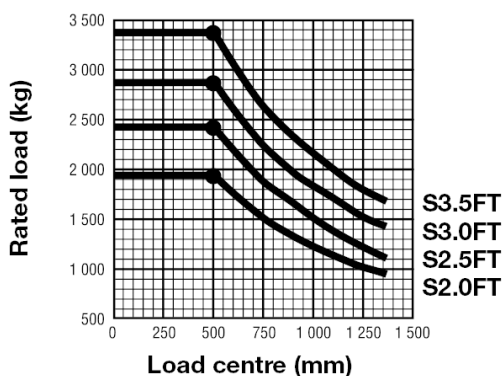


Model	S2.0FT	S2.5FT	S3.0FT	S3.5FT
-------	--------	--------	--------	--------

Dimensions (mm)

f	50%	45%	39%	39%
g	33,3°	33,3°	33,3°	33,3°
k	350	350	350	350
n	1 067	1 067	1 067	1 067

### Rated capacities



#### Load centre

Distance from front of forks to centre of gravity of load.

#### Rated load

Based on vertical masts up to 4 350 mm (S2.0-2.5FT) and 4 170 mm (S3.0-3.5FT).