

HYSTER-S5 FLT



The Hyster S5 Fork Lift Truck offers smooth manoeuvrability and the tightest of turning circles.



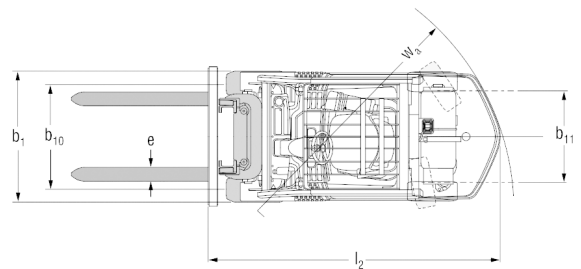
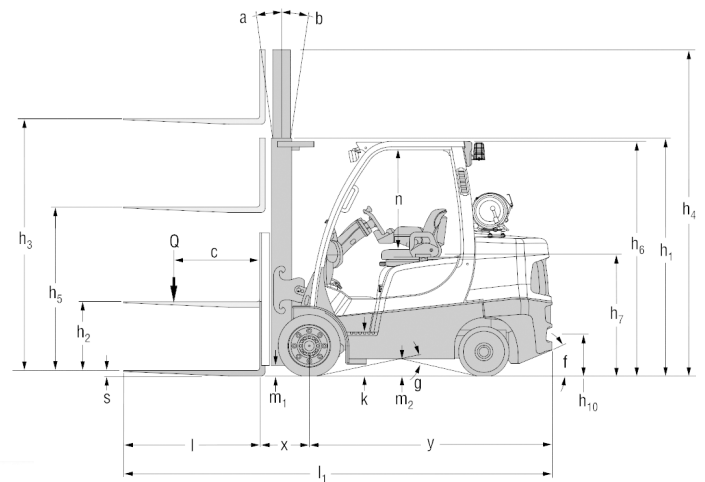
= Centre of gravity of unladen truck

$$A_{st} = W_a + x + l_6 + a \text{ (see lines 4.34.1 \& 4.34.2)}$$

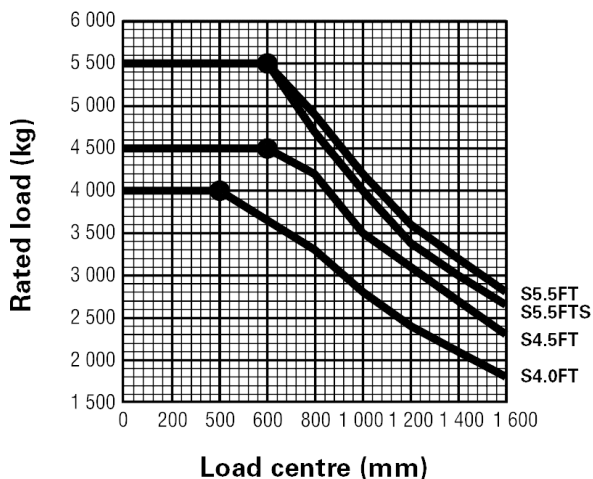
a = Minimum operating clearance

(VDI standard = 200 mm BITA recommendation = 300 mm)

l_6 = Load length



Dimensions (mm)	S4.0FT	S4.5FT	S5.5FT	S5.5FTS
f	40%	32%	32%	32%
g	22.7°	22°	21°	21°
k	391.5	395.5	395.5	395.5
n	1 062	1 062	1 062	1 062



Load centre

Distance from front of forks to centre of gravity of load.

Rated load

Based on vertical masts up to 4 250mm (S4.0FT) and 4 000mm (S4.5-5.5FT)