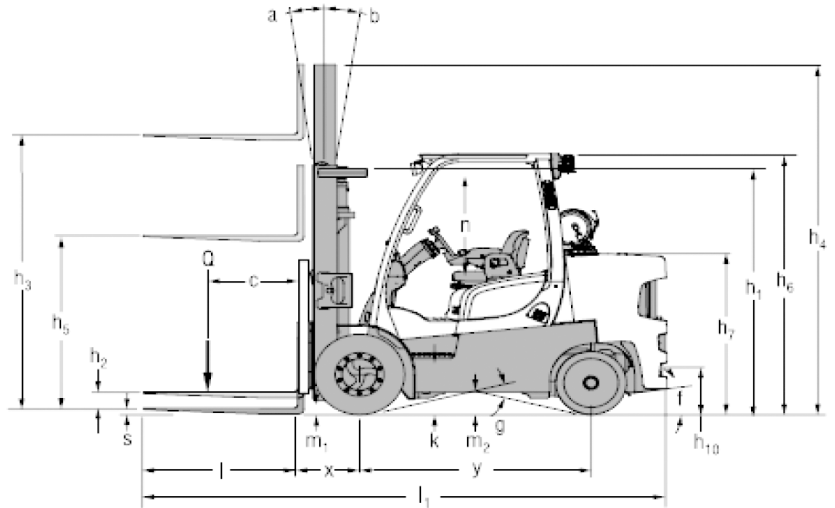
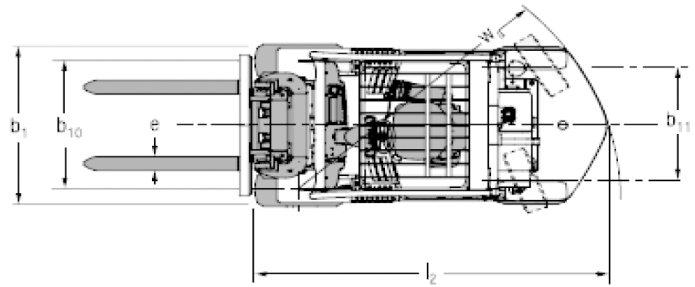


HYSTER-S7 FLT



The Hyster S7 Fork Lift Truck offers smooth manoeuvrability and the tightest of turning circles.

Maximum Lift:- Jib - 4.5 ton
Maximum Lift:- Forks - 6 ton



Mast & Capacity Information

Standard ** Masts S7.0FT8

	Maximum fork height (mm)	Back tilt	Overall lowered height (mm)	Overall extended height (mm)	Free lift (top of forks) (mm)
3-stage full free lift	3800	6°	2227	5026	995 ▼
	4700	6°	2527	5926	1295 ▼
	5900	6°	2827	6826	1595 ▼
	6200	6°	3077	7426	1845 ▼

Capacity chart in kg @ 600mm load centre

Maximum fork height (mm)	With standard carriage (Hook type)
3800	6930
4700	6880
5900	6600
6200	6320

Heavy duty Masts S7.0FT8

	Maximum fork height (mm)	Back tilt	Overall lowered height (mm)	Overall extended height (mm)	Free lift (top of forks) (mm)
2-stage limited free lift	2805	8°	2550	3745	330 ▼
	3405	8°	2850	4345	330 ▼
	3805	8°	3050	4745	330 ▼
	4405	8°	3350	5345	330 ▼

Capacity chart in kg @ 800mm load centre

Maximum fork height (mm)	With standard carriage (Hook type)
2805	7030
3405	7030
3805	7030
4405	7030