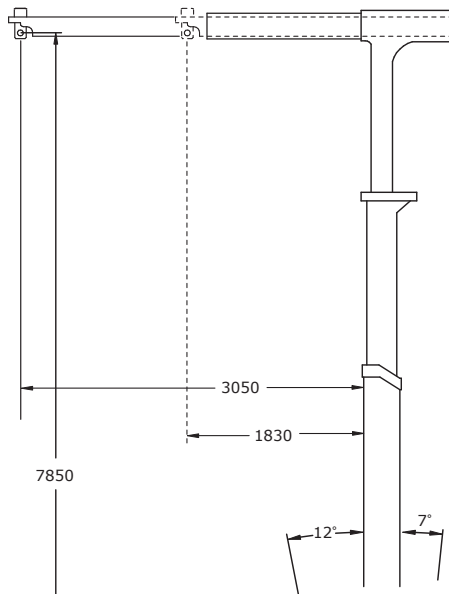


VERSA-LIFT 40/60



18 tonne @ 915mm Retracted
27 tonne @ 915mm Extended

Engine	GM 3 Litre, L.P. Gas
Transmission	Sundstrand Hydrostatic
Drive Axle	Rockwell Planetary Drive
Tyres	Front (Dual) 28" x 10" x 22" Poly Rear 28" x 10" x 22" Poly
Gradient	Empty 47% Loaded 20%
Tilt	Forward 12° Backward 7°
Drawbar Pull	Empty 6,216 kgs Loaded 5,400 kgs
Weights	Gross 26,315 kgs Boom 2,722 kgs Counterweight 7,260 kgs Forks 1,361 kgs
Axle Weights	Steer Empty 14,065 kgs Drive Empty 12,250 kgs Steer Loaded 2,722 kgs Drive Loaded 50,817 kgs

